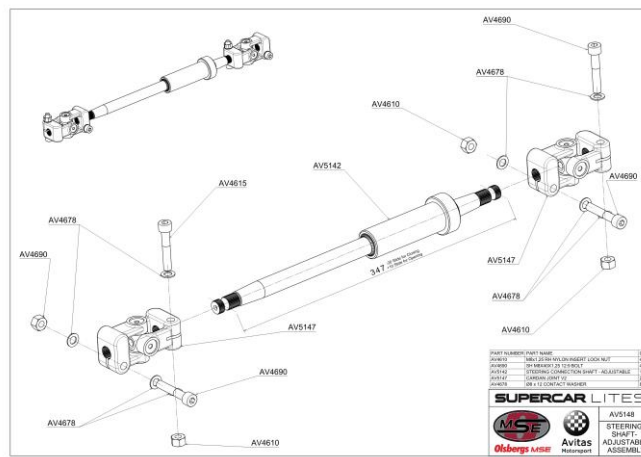


SUPERCAR LITES

Technical Bulletin

| | | | |
|--|------------|--------|----------------|
| Number | SCL_TB_001 | Date | 15.06.2017 |
| Revision | 001 | Issuer | SuperCar Lites |
| Mounting Instructions for AV5148 - Steering Shaft Adjustable Assembly | | | |

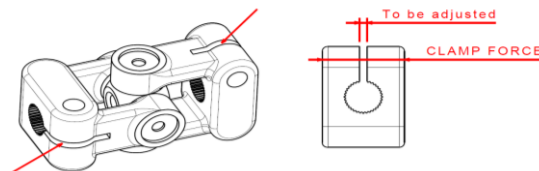
The Adjustable Steering Shaft Assembly AV5148 is equipped with two AV5147 Heavy Duty Cardan Joints to transfer the motion of the steering wheel to the steering racks.



The joints are specially designed and produced for high endurance and heavy duty applications.

Following points should be taken care of during the assembly of these joints to the both ends of the Adjustable Steering shaft and the Steering Rack and the EPAS system:

- 1) Carefully adjust the opening on Joints open ends with a clamp according to the place the joints is going to be assembled to. There shall be **minimal movement left** enough for the user to move the joint on the assembly point before tightening the bolts.



- 2) Lubricate the bolts and tighten with 30Nm torque to finalize the assembly. If dry conditions cannot be avoided, bolts shall be tightened with 40Nm.
- 3) Only the bolts, nuts and washers supplied with the kit shall be used during assembly. (AV4690, AV4610, AV4678).